



- Non-intrusive design – ideal for where mixers or wipers would interfere with typical insertion type sensors
- Clean-in-place (CIP) / Steam-in-place (SIP) – dual o-ring design for sealing
- 316L stainless steel construction – Welding spud provided with assembly
- Ideal for retrofit to existing tanks
- Teflon insulation provides true process temperature measurement by eliminating potential false reading from tank wall
- Removable sensor – allows process to remain sealed during sensor replacement or calibration
- Patent pending design

Weed Instrument Company has developed a unique flush mount tank temperature sensor for use in sanitary applications. The model 3142B is designed to mount flush to the wall of a tank. It is completely non-intrusive and will not interfere with any wipers or mixers in the tank. Teflon isolation of the sensor provides a true product temperature rather than influence from jacket heating or cooling that can affect the wall temperature, thus any

sensor not isolated from the wall.

The 3142B features a removable sensor for calibration, validation or replacement – the process remains completely sealed. A modified 2" 14MPW tank welding ferrule is provided with the 3142B. Installation requires welding the ferrule into your tank, then sliding sensor assembly with Teflon isolation into the ferrule and securing with a standard 2"

sanitary clamp.

Weed Instrument offers a complete line of sensors for sanitary applications, including other non-intrusive designs – the model 2543A flow-through temperature sensor.

Weed Instrument Company specializes in custom temperature sensing solutions. Please contact us for any of your application specific needs.

Model 3142B Flush Mount Tank Temperature Sensor

ORDERING INFORMATION

Model	Description
3142B	Flush Mount Tank Temperature Sensor

Code	RTD / Thermocouple Type
01B	100 ohm Platinum, $\alpha = 0.00385$ DIN RTD
TU	Type T thermocouple, ungrounded junction
Other	Specify other type of thermocouple or RTD

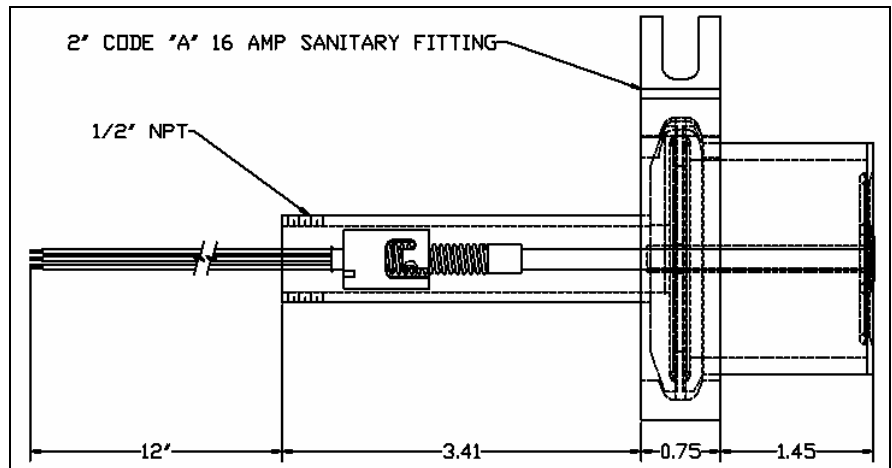
Code	Number of Leadwires
2	Standard for Single Thermocouple
3	Single 3-wire RTD
4	Single 4-wire RTD or Dual Thermocouple
6	Dual, 3-wire RTD

Specifications:

Sensor assembly includes modified 2" 14MPW Tank Welding Ferrule:
 2.192" OD
 1.868" ID
 1.8" long (modified)

Add a Weed Instrument optional connection head:
 Code 5: Polypropylene
 Code 8: Stainless steel

Optional 4-20mA output, head-mount, temperature transmitters available.



At Weed Instrument Company, we provide a complete line of sanitary and high-purity temperature sensors for accurate, reliable temperature measurement. Our products offer the real-life functionality to keep manufacturing processes tightly within specification. They excel in tough applications such as bioreactors, cell culture, fermentation, blending, vaccine production, sterilization and more. Weed has earned a reputation for providing accurate, reliable sensing devices for both everyday dependability and critical temperature situations.

Weed Instrument Company, Inc.

707 Jeffrey Way, P.O. Box 300
 Round Rock, TX 78680-0300
 Phone: 512-434-2900 Fax: 512-434-2901
 Email: temperature@weedinstrument.com
www.weedinstrument.com

